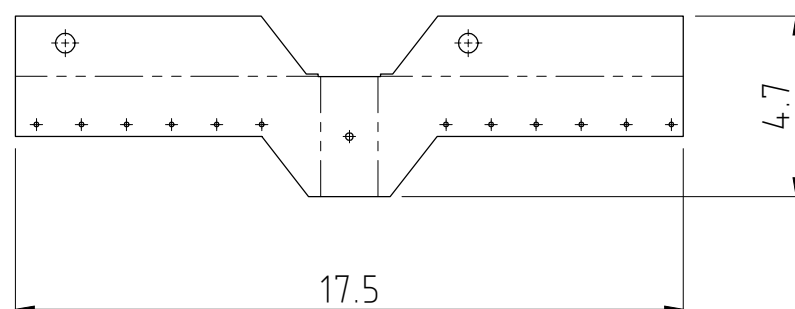
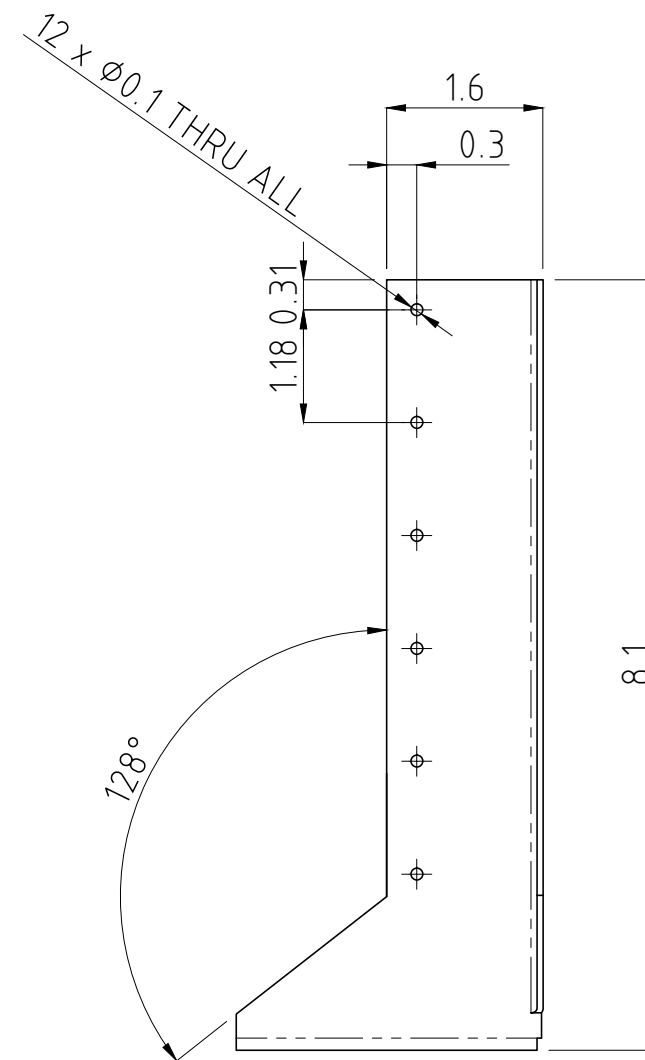
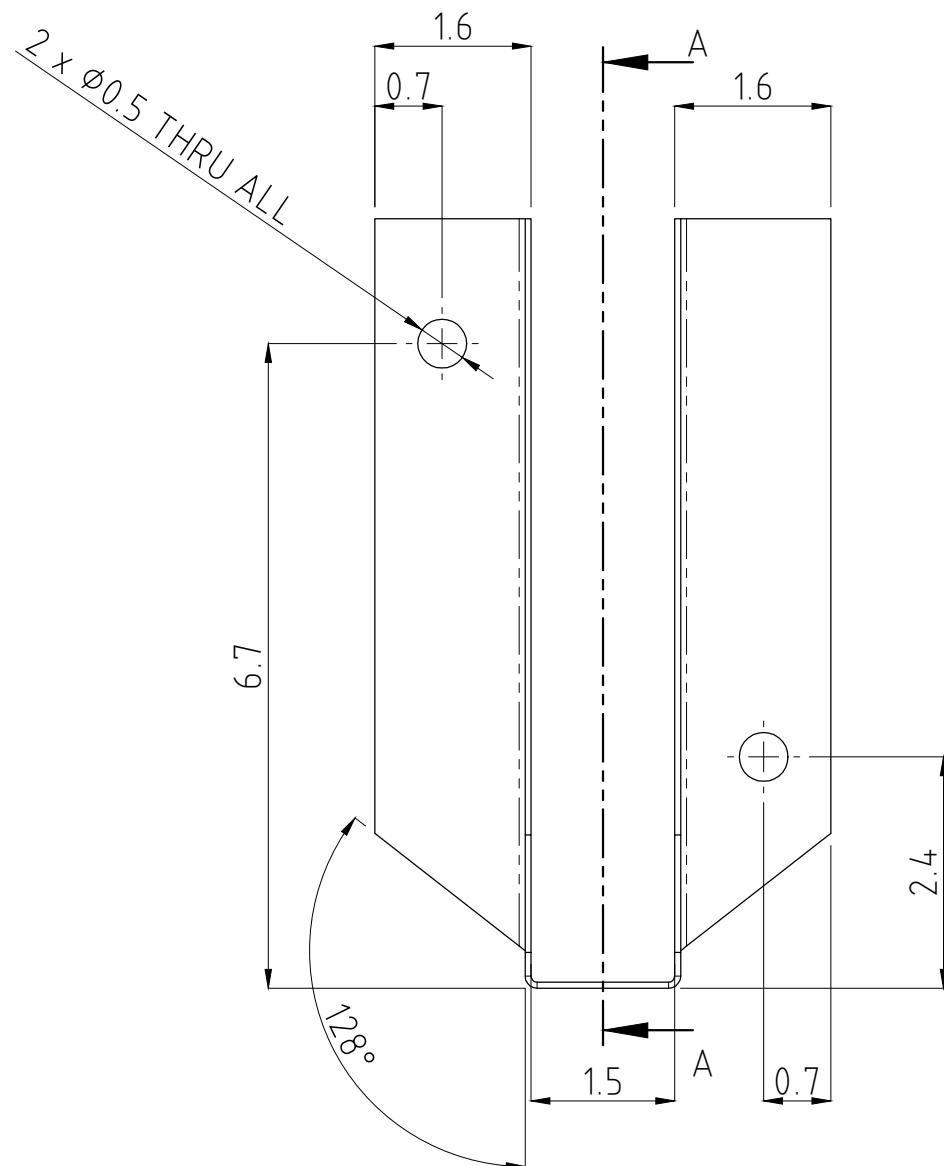



SECTION A-A



		<small>UNLESS OTHERWISE SPECIFIED, STANDARD PROCESSING CHECKS APPLY. TOLERANCES: LINEAR DIM'S MORE THAN 11.8 INCH: +0/-0.04 LINEAR DIM'S LESS THAN 11.8 INCH: +0/-0.02 ANGULAR DIMENSIONS: ±0.02° HOLE PUNCHING: ±0.02</small>		<h1>Burmon-ICFJH1</h1>	
		<small>CUSTOMER APPROVED:</small> -	<small>DATE:</small> -		
<small>MATERIAL SPEC:</small> -		<small>MATERIAL:</small> -		<small>TITLE:</small> -	
		<small>WEIGHT: -grams</small>		<small>PART / DRAWING NO.:</small> -	
				<small>REVISION:</small> A3	