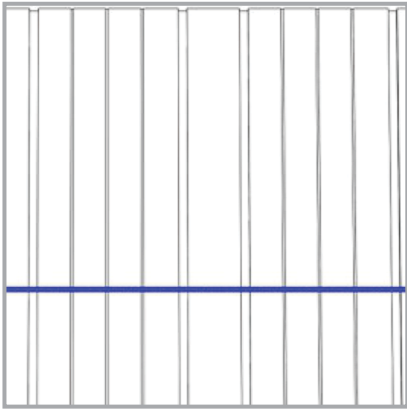


# burmon ICFJH INSTALLATION & FIXING GUIDE

**1** Flick a chalk line and mark the on-center spacing.



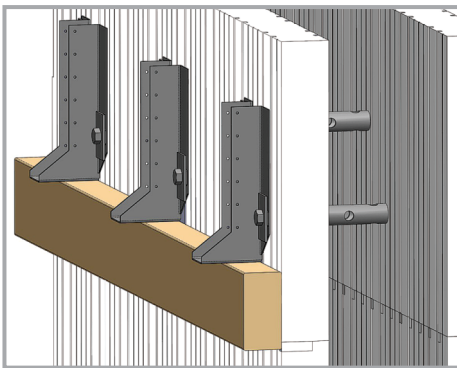
**2** Using the ICFJH Joist Hanger as a template, mark the hole locations in the ICF wall.



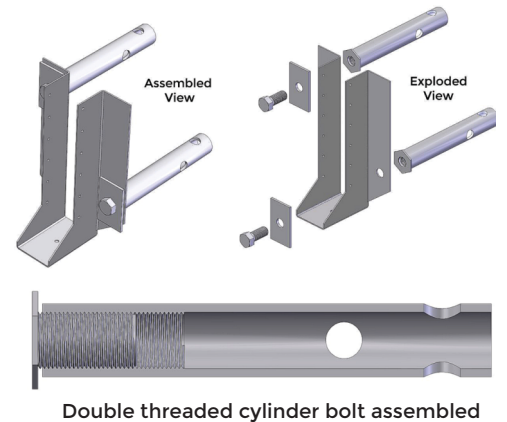
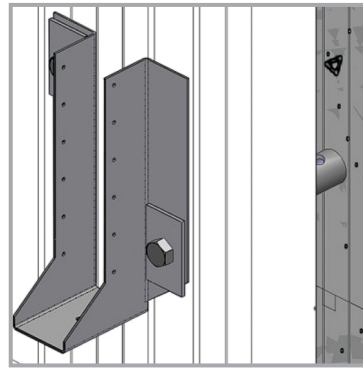
**3** Use the supplied spade point bit to drill 7/8-inch wide holes.



**4** Place assembled ICFJH in ICF Wall and secure in position by fixing a 2x4 underneath Joist Hangers.

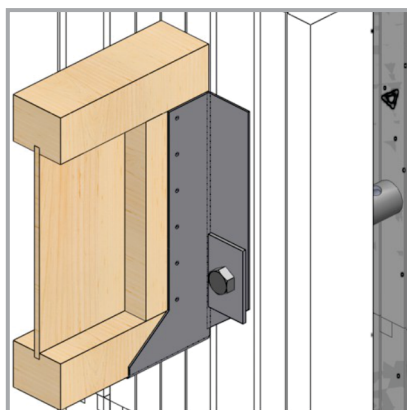


**5** Place concrete (minimum f'c = 2500 psi [17.25 MPa])

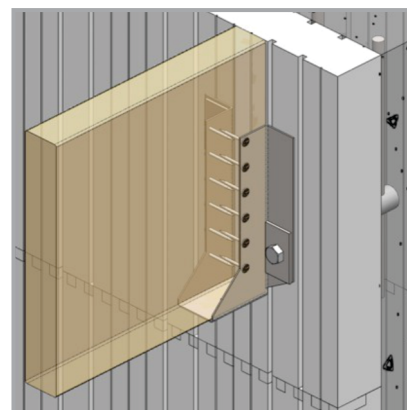


## INSTALLATION OF I-JOISTS, BEAMS & TRUSSES

**1** Position the wood member into the seat of the ICFJH Joist Hanger



**2** Fix the wood member to the joist hanger using nails.



Note: Refer to the nail fastener schedule on load table chart for the correct nail specification to be used.